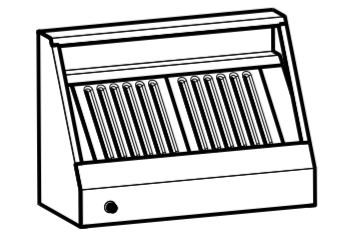
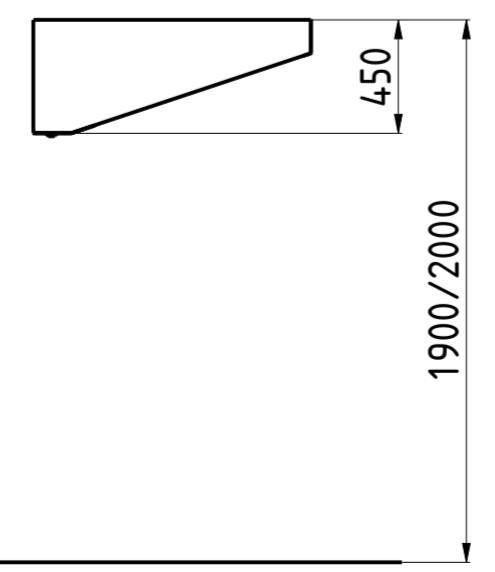
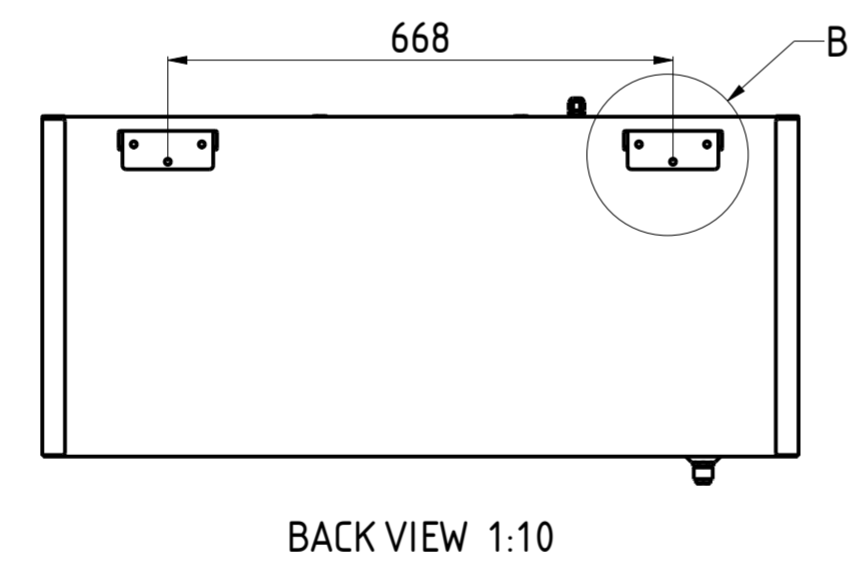
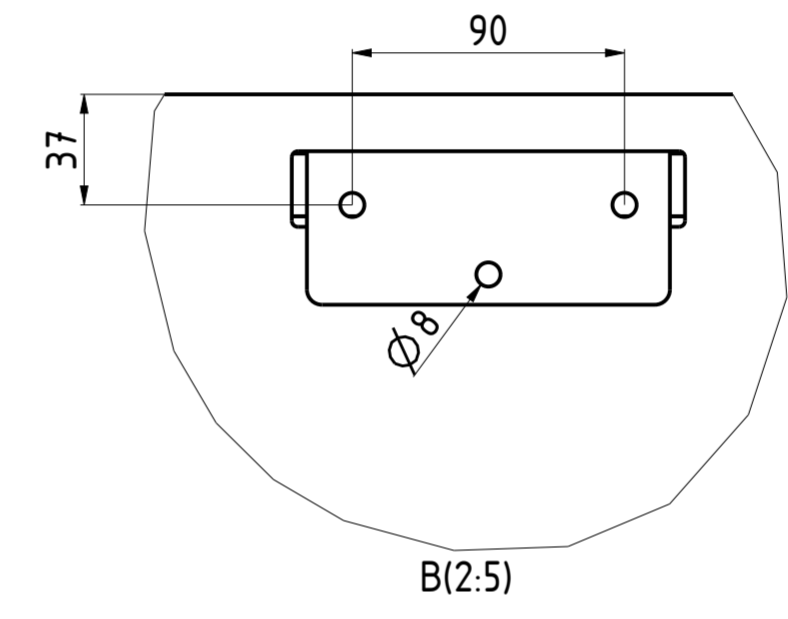
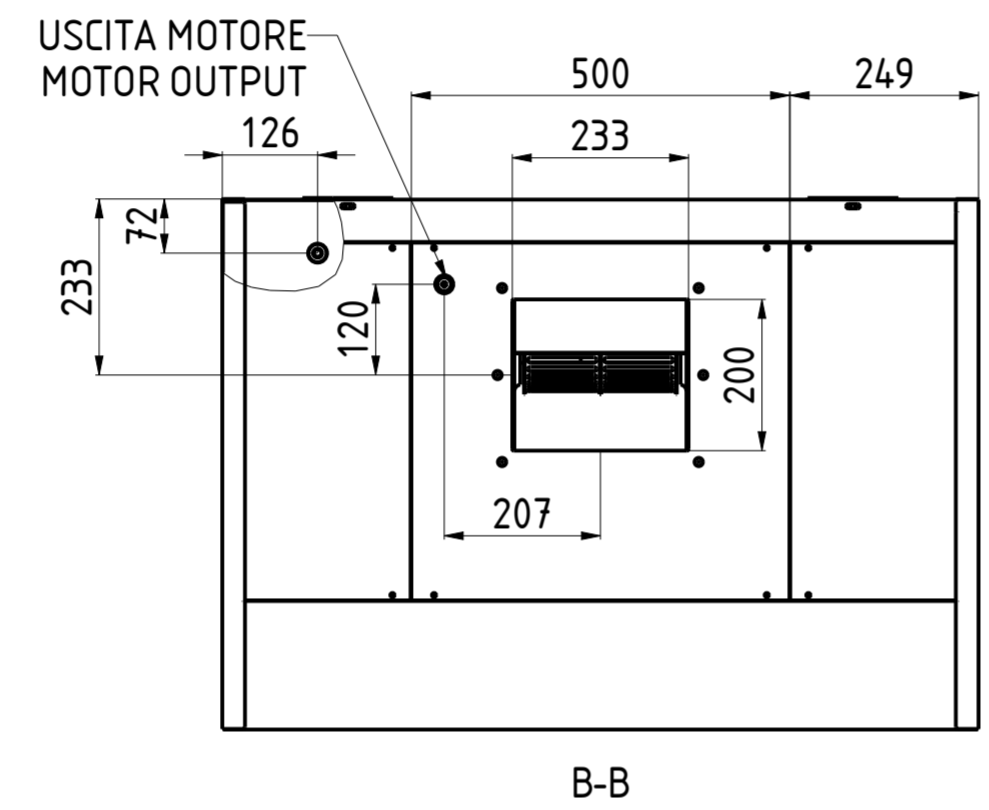
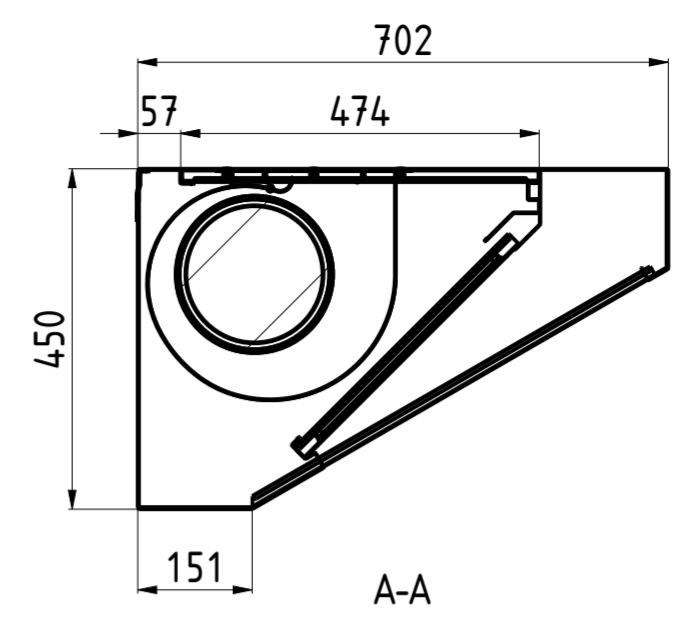
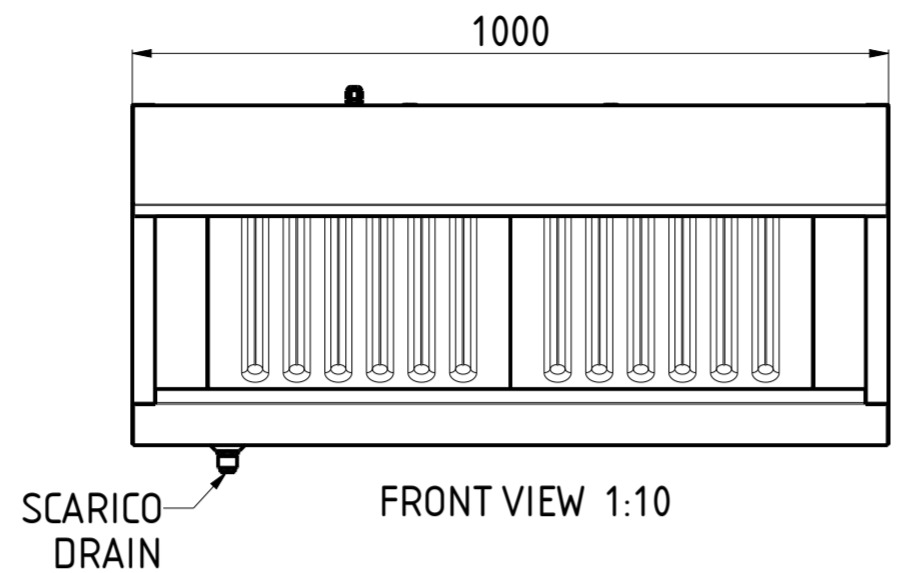


# CHSN07L100M



NR. LUCI NR. LIGHTS	PORTATA FLOW RATE	HST mmH <sub>2</sub> O	WATT	SDR	PESO (Kg) WEIGHT (Kg)
—	880	25	147	7/7	45

DATA DATE	MODIF. N. MODIF. NO.	DESCRIZIONE MODIFICHE MODIFICATION DESCRIPTION	DISEGNATO DRAWN BY	APPROVATO APPROVED
MODELLO CAPPA SNACK CON MOTORE 7/10 MODEL SNACK HOOD WITH MOTOR 7/10			SCALA SCALE	-
PARTICOLARE SCHEDA TECNICA DETAIL DATA SHEET			DATA DATE	-
MATERIALE MATERIAL	AISI 304 - AISI 430	SPES. THICK.	SHEET 2 OF 3	
FINITURA FINISH		PEZZI N. PIECES NO.	ULTIMA EMISS. LAST EDITION	
TRATTAMENTO TREATMENT		COLORE COLOUR		

mm

FORM.A-2

ELABORATO CON SISTEMA CAD  
DESIGNED BY CAD/STEM  
 QUOTA PRIMARIA  
PRIMARY DIMENSION  
 XX  
 ANGOLI  
Angles  
 $\neq 30^\circ$   
 TOLLERANCE UNLESS OTHERWISE STATED  
 QUOTE SENZA TOLLERANZA  
 TOLERANCE UNLESS OTHERWISE STATED  
 >500  
 $\pm 0,75$   
 400-500  
 $\pm 0,65$   
 315-400  
 $\pm 0,60$   
 250-315  
 $\pm 0,55$   
 180-250  
 $\pm 0,50$   
 120-180  
 $\pm 0,45$   
 80-120  
 $\pm 0,40$   
 50-80  
 $\pm 0,35$   
 18-30  
 $\pm 0,25$   
 10-18  
 $\pm 0,20$   
 5-10  
 $\pm 0,15$   
 0-5  
 $\pm 0,10$   
 LUNGH. E DIAM.  
LENGTH AND DIAM.